

Push ON/OFF Switch 0/1-10V DC Control Dimmer



PDB-10V1WEU

INSTALLATION INSTRUCTION

IMPORTANT !


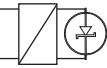
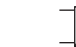

It is illegal for persons other than an appropriately licensed electrical contractors or other persons authorised by legislation to work on the fixed wiring of any electrical installation.

“This dimmer shall be protected by a 6A or up to a 16A maximum miniature circuit breaker, which is special use with this dimmer.”

WARNING : ELECTRIC SHOCK HAZARD

Hazardous voltage maybe present at the output of the dimmer despite setting the dimmer to zero brightness level. Look out and tag the input circuit before accessing the wiring connections. Failure to follow this warning can result in death or serious injury.

ELECTRICAL SPECIFICATIONS

Parameter	Value
Supply voltage & Frequency	220-240V ~ 50Hz
ON/OFF Switch Rating	400VA max. : halogen lamps and electronic step-down converter for extra low-voltage incandescent lamps. 150VA max. : 0/1-10V dimmable LED driver / converter.
We recommend the number of LED drivers connected to 0/1-10V DC control dimmer does not exceed 10 pieces.	
DC 0/1-10V output 200mA max.	  Dimmable LED lighting with compatible Electronic Transformers
	  LV Halogen Lighting with electronic transformers
The maximum length of the wires from dimmer to LED driver should be no more than 15 meters.	
Operating Temperature	0° - 45°C
Operating Humidity	10 - 90% R.H.
Mounting Centres	82mm EU Pattern Plate

NORMAL OPERATION

Operation of Dimmer Knob and Switch :



Push knob **ON** or **OFF** the lamp.

Turn knob right to increase brightness to maximum level.

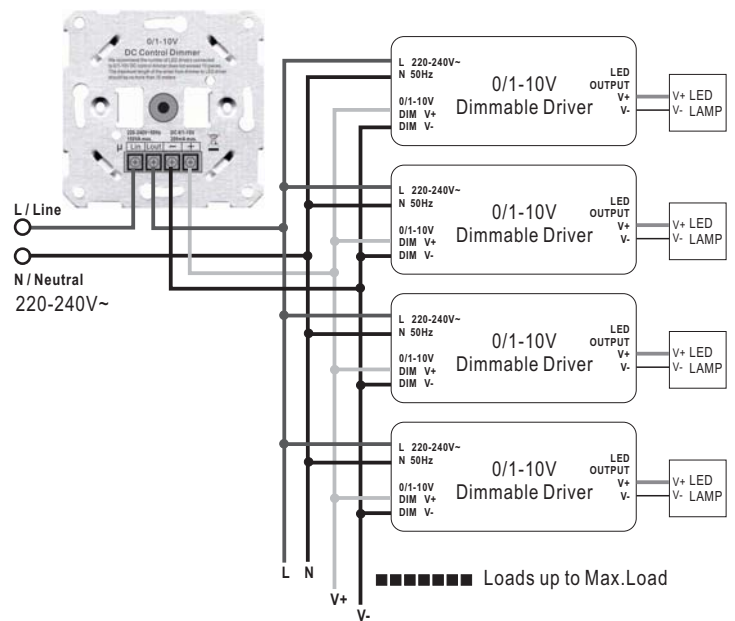
Turn knob left to decrease brightness to minimum level.

INSTALLATION

Wiring Details :

1. Disconnect power. Lock out and tag the relevant circuit at the mains switchboard.
2. Remove existing switch from wall.
3. Connect the dimmer in accordance with the wiring diagrams.
*the copper conductors for the terminals is 1,0 to 1,5mm rigid wire.
4. Refit switch plate to wall and fit the dimmer knob to the shaft.
5. Reconnect power. Push ON and dim with turning knob.

WIRING DIAGRAMS



NOTE:

We recommend the number of LED drivers connected to 0/1-10V DC control dimmer does not exceed 10 pieces.

The maximum length of the wires from dimmer to LED driver should be no more than 15 meters.

