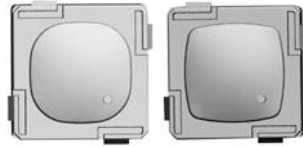


# Push Button UP/DOWN Dimming Slave Switch

Model : ATE-TS-RSAU

## INSTALLATION INSTRUCTION



### IMPORTANT !

This Slave Switch suitable for Model ATE-TS300AU only

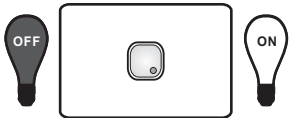
It is illegal for persons other than an appropriately licensed electrical contractors or other persons authorised by legislation to work on the fixed wiring of any electrical installation.

### WARNING : ELECTRIC SHOCK HAZARD

Hazardous voltage maybe present at the output of the dimmer despite setting the dimmer to zero brightness level. Look out and tag the input circuit before accessing the wiring connections. Failure to follow this warning can result in death or serious injury.

### NORMAL OPERATION

Operation of Push Button Slave Switch :



Short press button to **ON** or **OFF** the lamp.  
Toggle switch to dim.  
Press and hold dim up until maximum level,  
or release, press and hold dim down until minimum level.



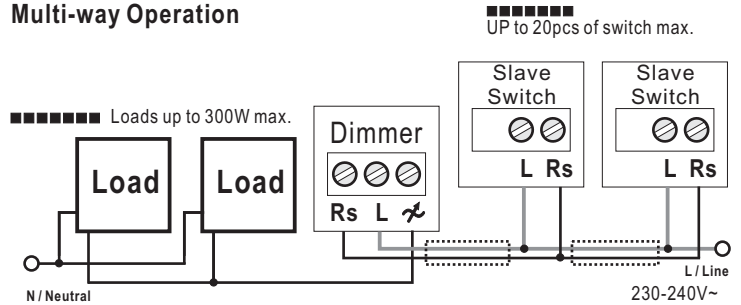
## INSTALLATION

Wiring Details :

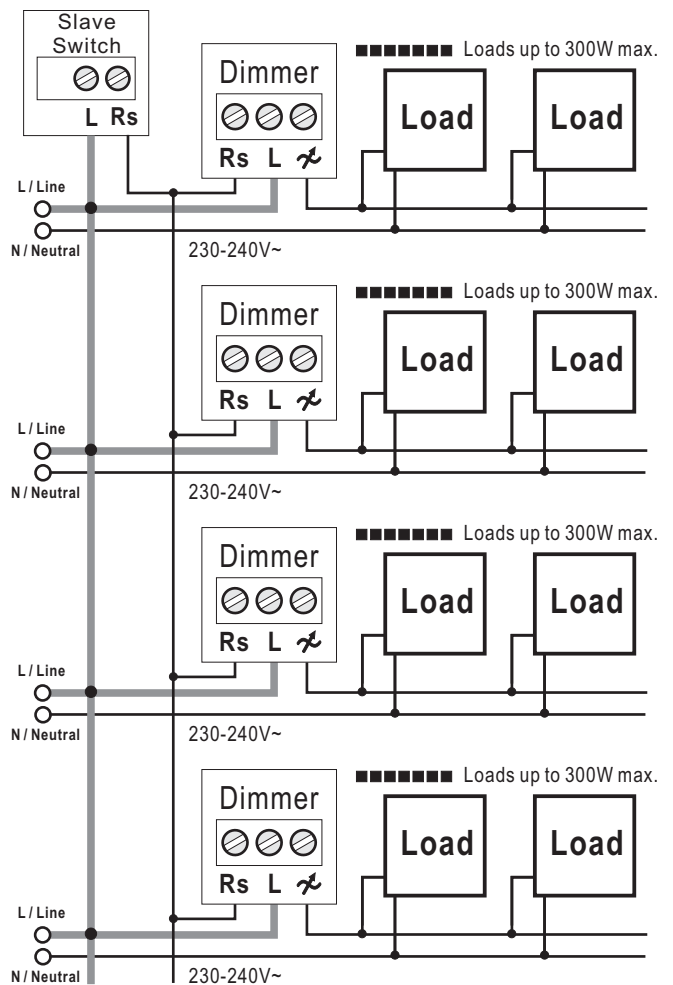
1. Disconnect power. Lock out and tag the relevant circuit at the mains switchboard.
2. Remove existing switch from wall.
3. Connect the Slave switch in accordance with the wiring diagrams.
4. Refit switch plate to wall.
5. Reconnect power. Turn the Dimmer on and check its operation by short press button to ON or OFF the lamp.

## WIRING DIAGRAMS

### Multi-way Operation



### Wiring diagrams for one Slave Switch control multi-dimmer :



NOTE :

One Slave switch can be control up to 20 units of dimmer for UP/DOWN dim and ON/OFF at the same time.